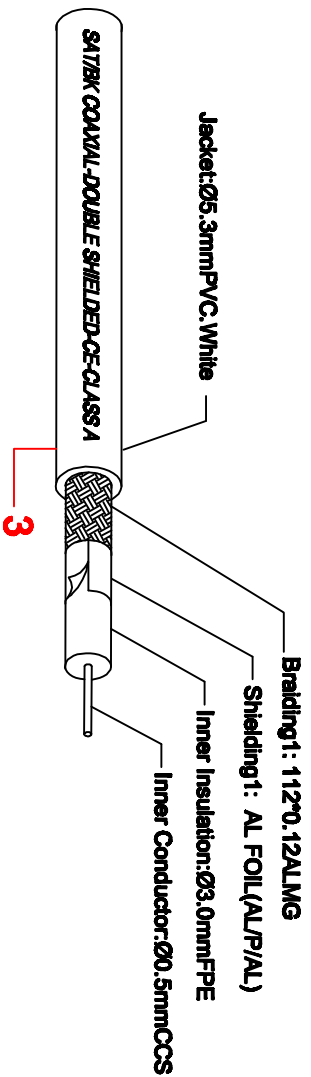


Construction



No	Item	Length	Packaging
67282	BK 0150-G	1.5m	1/10/80/160
67283	BK 0250-G	2.5m	1/10/80/120
67284	BK 0350-G	3.5m	1/10/40/80
67285	BK 0500-G	5.0m	1/10/30/80
67286	BK 0750-G	7.5m	1/5/20/40
67281	BK 1000-G	10	1/5/20/40

Wiring Method



1. dimensions As shown
2. Insulation resistance ≥ 100 up to 500V=
3. dielectric strength
2 KV 50Hz 2 sec.
4. TESTING: 100% OPEN AND SHORT AND MISWIRE TEST.
5. 100% RoHS COMPLIANT.

5	Copper coil	φ4.5mm H13mm	2PCS
4	MOULDED1	PVC 4SP White	2*10g
3	CABLE	φ6.3 RG58 COAXIAL CABLE White(According to the chart)	L
2	CONNECTOR82	COAX 9.5 Jack (Gold plating 100%Shielded)	1set
1	CONNECTOR81	COAX 9.5 Plug (Gold plating 100% Shielded)	1set
NO	Item Name	SPEC	QTY
Edition	WEC000	Scale	
Designed by	ming hong	Item Name	COAX PLUG TO COAX JACK COAXIAL CABLE
Checked by		Item NO	BK-G series cable
Approved by		Unit: MM	
Date	11.28.2013		